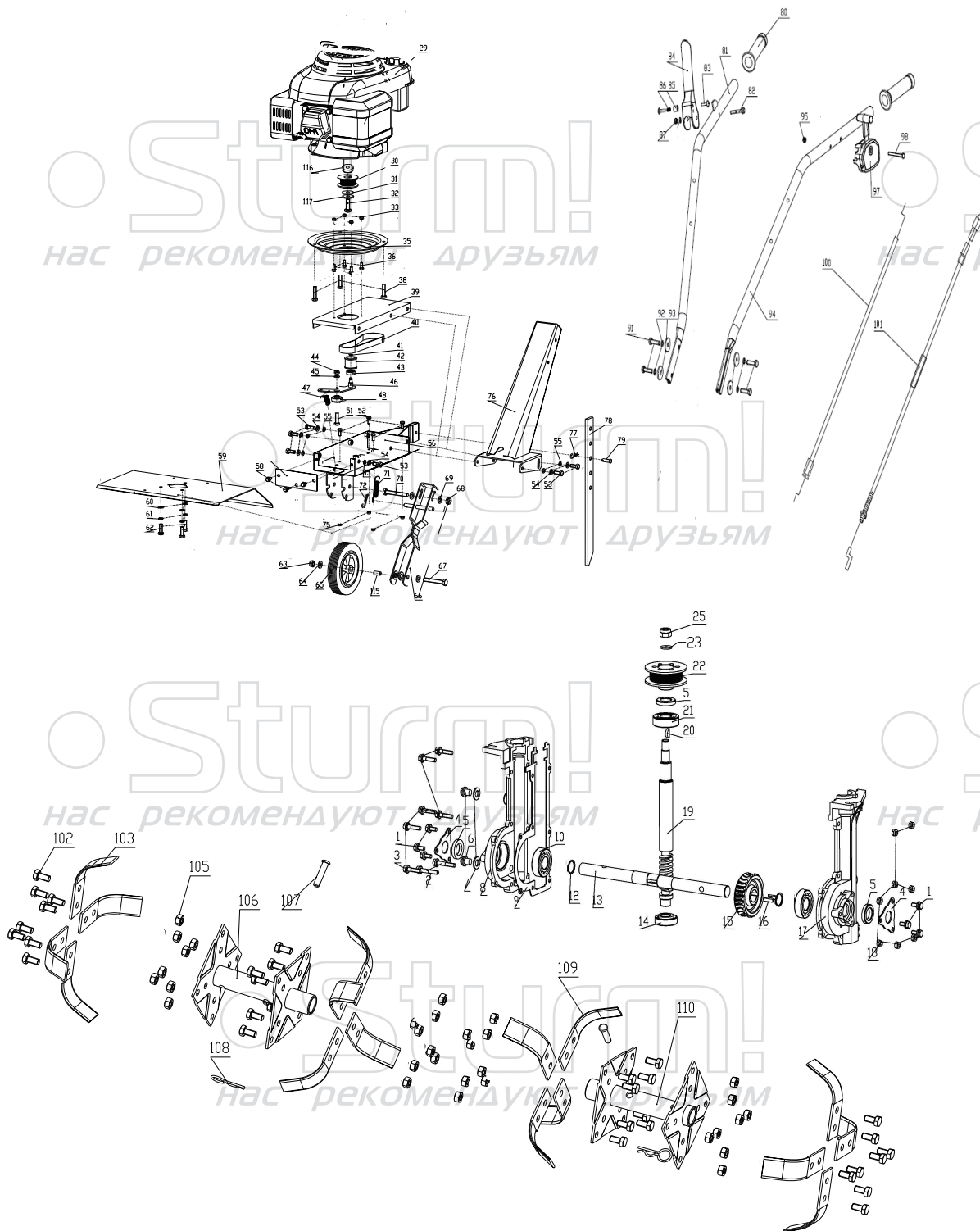
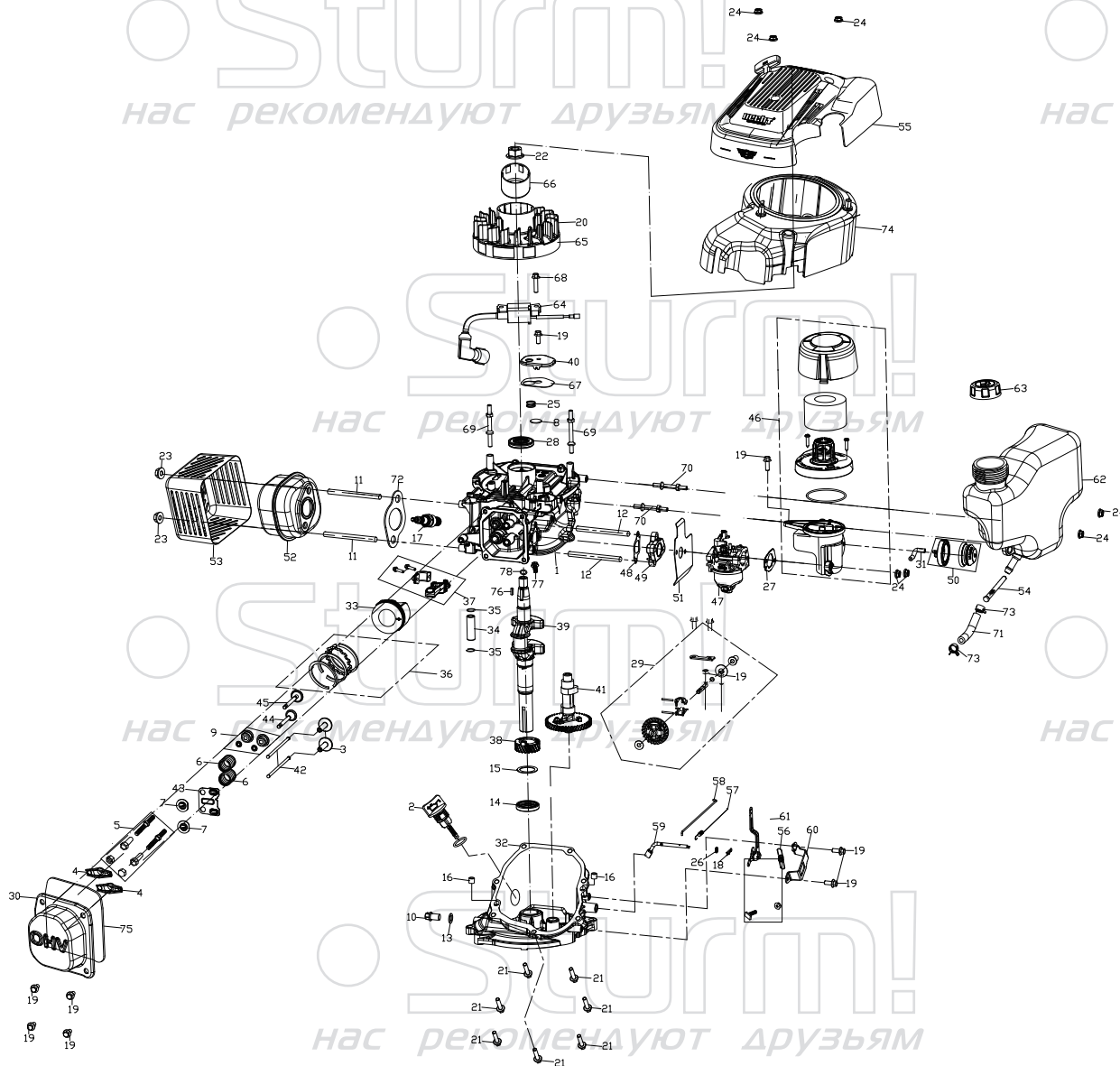


GK8361M



NO	DESCRIPTION	NO	DESCRIPTION
1	Bolt M6×10	58	Bolt M6×14
2	Bolt M6×35	59	Fender board
3	Bolt M6×25	60	washer Ø8×Ø22×1.5
4	oil seal cover	61	Spring washer Ø8
5	oil seal Ø20×Φ32×7	62	Bolt M8×25
6	Bolt M10×10	63	Nut M8
7	washer Ø10	64	washer Ø8×Ø25×2
8	gear box left	65	Wheel
9	gear box gasket	66	wheel bracket
10	Bearing 6004RS	67	Bolt M8×60
12	CIRCLIP φ20	68	Nut M10
13	worm wheel shaft	69	washer Ø10×Ø20×1.5
14	Bearing 30203	70	Bolt M10×70
15	worm wheel	71	Spring
16	Woodruff key	72	R type pin
17	gear box right	75	Nut M6
18	Nut M6	76	Handle support
19	Worm shaft	77	R type pin
20	Woodruff key	78	Depth skid
21	Bearing 6204RS	79	Pin
22	follower pulley	80	Handle rubber sleeve
23	washer Ø12	81	right handle
25	Nut M12	82	Bolt M6×40
29	Engine	83	Non-standard bolt
30	driving pulley	84	clutch handle
31	washer Ø10×Ø30×2	85	Limit nut
32	Imperial Bolt	86	Spring
33	Nut M6	87	Nut M6
35	Engine support	91	Bolt M8×30
36	Bolt M6×14	92	Spring washer Ø8
38	Bolt M8×35	93	washer Ø8×Ø30×3
39	Casing cover	94	Left handle
40	belt	95	Nut M6
41	CIRCLIP φ8	97	throttle control
42	Tension wheel	98	Bolt M6×45
43	Bearing 628RS	100	throttle cable
44	Nut M8	101	clutch cable
45	washer Ø8×Ø25×2	102	Bolt M8×16
46	Belt stretcher lever	103	Blades 1
47	Spring	105	Nut M8
48	Bushing	106	Blade tube 1
51	Bolt M8×30	107	Pin
52	Bolt M6×14	108	R type pin
53	Bolt M8×20	109	Blades 2
54	Spring washer Ø8	110	Blade tube 2
55	washer Ø8×Ø25×2	115	wheel bushing
56	casing under cover	116	bushing
57	front shroud	117	Washer Ø10×Ø32×2

Engine for GK8361M



NO.	DESCRIPTION	NO.	DESCRIPTION
1	THE CRANKSHAFT BOX BODY	40	BACK TO THE OIL CHAMBER
2	OIL GAUGE ASSEMBLY	41	CAMSHAFT ASSEMBLY
3	THE VALVE LIFTER	42	THE VALVE PUSH ROD
4	ROCKER ARM	43	LIMIT PLATE ASSEMBLY
5	ROCKER ARM FASTENING BOLT ASSEMBLY	44	INLET VALVE
6	VALVE SPRINGS	45	THE EXHAUST VALVE
7	INLET VALVE SPRING SEAT	46	AIR FILTER ELEMENT
8	CIRCULAR PLATE	47	CARBURETOR ASSEMBLY
9	VALVE OIL SEAL	48	INTAKE GASKET
10	OIL DRAIN BOLT M10X1.25X15	49	CARBURETOR CONNECTION BLOCK
11	STUD M6X77	50	ADD PUMP
12	STUD M6X100	51	CARBURETOR GASKET
13	OIL DRAIN BOLT WASHER	52	MUFFLER
14	THE CRANKSHAFT OIL SEAL	53	MUFFLER HOUSING
15	THE CRANKSHAFT FLAT MAT	54	FILTER
16	POSITIONING PIN OF CRANKCASE	55	IN THE HOOD
17	THE SPARK PLUG	56	SPEED REGULATING SPRING B
18	CHECK BACK CLIP	57	VERNIER C SPRING
19	BOLT M6X16	58	THE THROTTLE LEVER
20	IMPELLER	59	SWINGING ROD
21	BOLT M6X25	60	SPEED CONTROL CONTROLLER
22	NUT M12X1.25	61	CONTROL ARM
23	NUT M6	62	THE FUEL TANK
24	NUT M6	63	THE CAP
25	BREATHING VALVE SPRING	64	IGNITER
26	PENDULUM STEM SEAL	65	THE FLYWHEEL COMPONENTS
27	AIR FILTER GASKET	66	START THE CUP
28	THE CRANKSHAFT OIL SEAL	67	OIL RETURN CHAMBER COVER GASKET
29	CENTRIFUGAL GOVERNOR GEAR ASSEMBLY	68	START COVER STUD
30	CYLINDER CRANIUM	69	START COVER STUD
31	EXHAUST PIPE	70	TANK STUD
32	CRANKCASE COVER	71	FUEL PIPE
33	THE PISTON	72	EXHAUST GASKET
34	THE PISTON PIN	73	FUEL PIPE CLAMP
35	PISTON PIN RETAINER	74	START SMALL CAP
36	PISTON RING ASSEMBLY	75	CYLINDER HEAD COVER GASKET
37	CONNECTING ROD COMPONENT	76	FLAT KEY
38	CRANKSHAFT TIMING DRIVING GEAR	77	THE IMPERIAL BOLTS
39	THE CRANKSHAFT	78	THE CRANKSHAFT MAT